

KL-1683-20 K

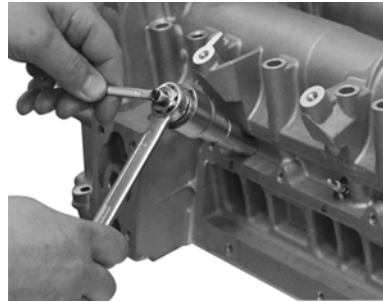


Application examples:

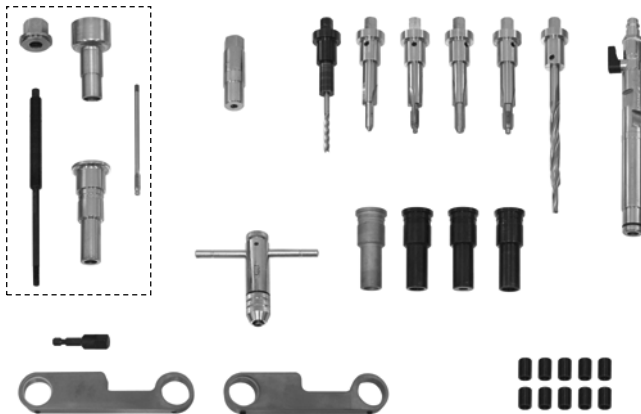
Milling out centre electrode.



Extracting glow plug tube.



Scope of Delivery: KL-1683-20 K



KL-1683-20 K - Glow Plug Tool Set

Suitable for Fiat 2.3 L (F1A) and 3.0 L (F1C, F30 DT) JTD / HDI Diesel engines on Fiat Ducato, IVECO Daily, Citroën Jumper, Peugeot Boxer.

Field of Application

The glow plug tool set KL-1683-20 K enables the accurate removal, respectively, drilling out of damaged glow plugs and rethreading the original thread M8x1. It also allows the user to repair a damaged glow plug retaining thread M8x1 by drilling it up to M10x1. Then, a new glow plug together with a threaded insert (M10x1 to M8x1) can be screwed into the cylinder head. The compressed-air adaptor included in the set prevents impurities from entering the combustion chamber.

Technical Data

- Glow plug thread: M8x1

Scope of Delivery

Part No.	Description	Qty.
KL-1683-20 K	Glow Plug Tool Set Fiat	1
<i>consists of:</i>		
KL-0369-300 A	Drum-type turning tool	1
KL-1683-2012	Centring sleeve	1
KL-1683-201	Base fitting strip 2.3 JTD	1
KL-1683-202	Base fitting strip 3.0 JTD	1
KL-1683-2031	Guide sleeve for milling cutter	1
KL-4007-2510	Adaptor for power drill 3/8"	1
KL-1683-2032	Milling cutter for glow plug electrode	1
KL-0369-306	Tool holder with square socket	1
KL-1683-207	Glow plug puller	1
KL-1683-2041	Guide sleeve for drill	1
KL-1683-2051	Core-hole drill Ø7.1 mm for M8x1	1
KL-1683-2052	Thread tap M8x1	1
KL-1683-2061	Core-hole drill Ø9.1 mm for M10x1	1
KL-1683-2062	Thread tap M10x1	1
KL-1383-2234	Set of threaded inserts M8x1 (10 pieces)	1
KL-0369-56 A	Compressed-air adaptor for injection nozzle bore	1
KL-1683-2081	Guide sleeve for reamer	1
KL-1683-2082	Reamer Ø6.9 mm, Ø4.9 mm	1
KL-1683-2090	Plastic storage case	1

KL-1683-200 K



KL-1683-200 K - Glow Plug Tool Set

Suitable for Fiat 2.3 L (F1A) and 3.0 L (F1C, F30 DT) JTD / HDI Diesel engines on Fiat Ducato, IVECO Daily, Citroën Jumper, Peugeot Boxer.

Field of Application

The glow plug tool set KL-1683-200 K enables the accurate removal, respectively, drilling out of damaged glow plugs and rethreading the original thread M8x1.

Technical Data

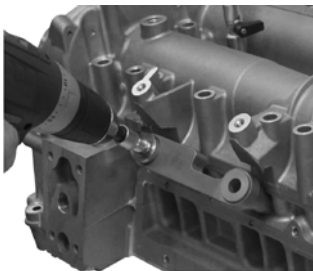
- Glow plug thread:..... M8x1

Scope of Delivery

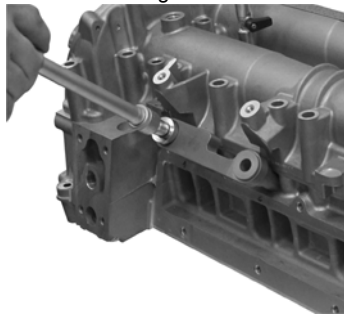
Part No.	Description	Qty.
KL-1683-200 K	Glow Plug Tool Set Fiat	1
<i>consists of:</i>		
KL-0369-300 A	Drum-type turning tool	1
KL-1683-2012	Centring sleeve	1
KL-1683-201	Base fitting strip 2.3 JTD	1
KL-1683-202	Base fitting strip 3.0 JTD	1
KL-4007-2510	Adaptor for power drill 3/8"	1
KL-0369-306	Tool holder with square socket	1
KL-1683-207	Glow plug puller	1
KL-1683-2041	Guide sleeve for drill	1
KL-1683-2051	Core-hole drill Ø7.1 mm for M8x1	1
KL-1683-2052	Thread tap M8x1	1
KL-1683-2081	Guide sleeve for reamer	1
KL-1683-2082	Reamer Ø6.9 mm, Ø4.9 mm	1
KL-1683-2090	Plastic storage case	1

Application examples:

Drilling up glow plug thread to core-hole diameter.



Rethreading thread M8x1.



Scope of Delivery: KL-1683-200 K

