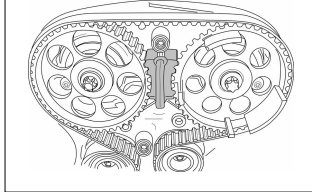


KL-0482-34 K



### Application examples:

Locking the camshafts



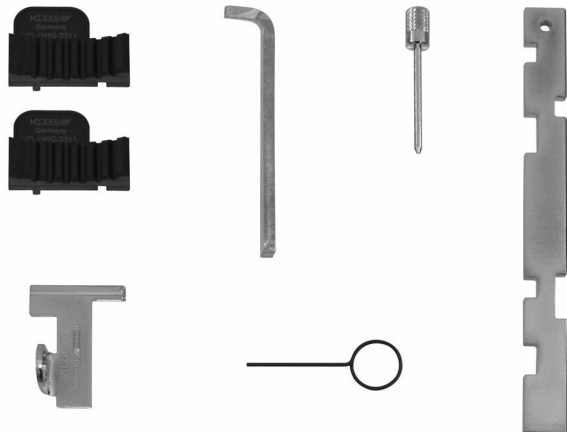
Locking the flywheel



Locking the camshafts



### Scope of delivery: KL-0482-34 K



## KL-0482-34 K Locking Tool Set Vauxhall/Opel 1.6 L

Suitable for Vauxhall/Opel 1.6 and 1.8 TwinCam petrol engines.

### Field of Application

Tool for locking and/or positioning engine shafts such as camshaft and crankshaft. Can also be used to lock and position the timing belt tensioner.

Indispensable tool when replacing a timing belt or performing an engine repair.

### Advantages

- Correct valve and engine timing adjustment.
- Quick and safe engine repair.
- Accurate and safe positioning of engine shafts such as camshaft and crankshaft.

### Scope of delivery

Part No.	Description	Qty.
KL-0482-34 K	Locking Tool Set Vauxhall/Opel 1.6 L	1
<i>consists of:</i>		
KL-0482-331	<b>Locking tool set Vauxhall/Opel 1.6</b> For locking camshafts / camshaft sprockets Engine code: A16LET, A16XER, Z16LEL, Z16LER, Z16LET, Z16XE, Z16XE1, Z16XEP, Z16XER, A18XER, Z18XE, Z18XER	1
KL-0481-71 A	<b>Locking tool for flywheel</b> Engine code: X14XE, X16SEJ, X16SZR, X16XEL, Y16XE, Z16LER, Z16LET, Z16SE, Z16XE, Z16XE1, Z16XEP, Z16YNG, X18E1, X18XE1, Z18XE, Z18XEL, Z18XW	1
KL-0482-462 A	<b>Locking pin Ø 4 mm</b> For locking the timing belt tensioner Engine code: X14XE, X16SEJ, X16XEL, Y16XE, Z16XE, Z16YNG, Z16LER, Z16LET, Z16XE1, Z16XEP, 18 XER, X18E1, X18XE1, Z18XE, Z18XEL, Z18XW	1
KL-0482-332	<b>Locking device for flywheel</b> Engine code: Z16LER, Z16LET, Z16XE1, Z16XEP, 18 XER	1
KL-0180-3019	<b>Retaining pin Ø 1.9 mm</b> Used to lock the automatic timing belt tensioner when replacing a timing belt. Engine code: Z16LER, Z16LET, Z16XE1, Z16XEP, 18 XER	1
KL-0482-333	<b>Setting gauge for camshafts 4.4 mm</b> For locking camshafts Engine code: Z16 XER	1
KL-0482-3490	<b>Plastic storage case</b>	1