

KL-0369-275 A

REAMER, Ø 4.9 MM, WITH M10X1 HOLDER (ADJUSTABLE)

KN 9.55

Applicable to VW-Audi 1.6 and 2.0 (EA 288) Common Rail Diesel engines with combustion chamber pressure sensor glow plug in No. 3 cylinder.

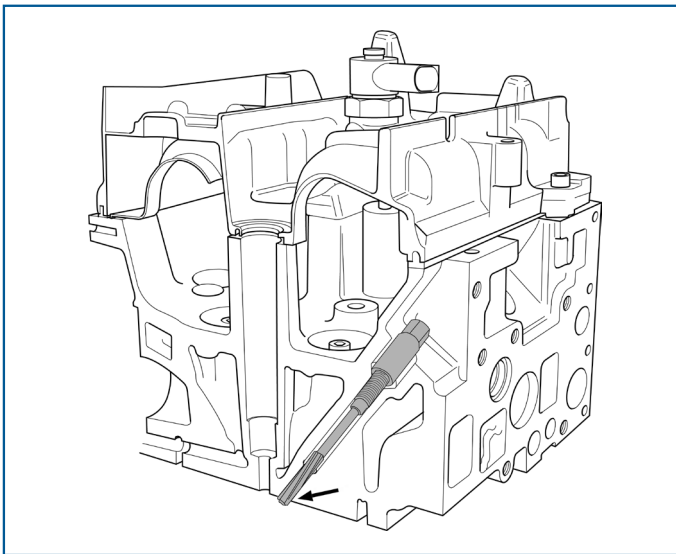
As fitted to: VW Arteon (3H), Crafter (7C), Golf VII (AM, 5G), Passat (3G), Tiguan (AD, BW), Touran (5T), T6 (SF, SG); Audi A3 (8V), A4 (B9), Q2 (GA); Seat Leon (5F); Skoda Kodiaq (NS), Oktavia (5E), Suberb III (3V).

Engine codes: CLHC, CRGA, CRLB, CRLD, CUAU, CUPA, CXEB, CXFA, CXGA, CXGB, CXGC, CXHA, CXHB, DBGA, DBGB, DBKA, DCXA, DCZA, DDAA, DFCA, DFEA, DFEB, DFGA, DFHA.

For cleaning out glow plug apertures on (EA 288) engines with combustion chamber pressure sender glow plug in No. 3 cylinder quickly and professionally. The special design of the tool and the cleaning groove in the holder allow carbon deposits on glow plug retaining threads and in glow plug apertures to be carefully removed.

Technical Data:

Length L:	60mm - 105mm
D measured (on glow plug):	Ø 4mm



Made in Germany



Scope of Delivery:

Pos.	Part No.	Description	Qty
-	KL-0369-275 A	KL-0369-275 A Reamer, Ø 4.9 mm, with M10x1 Holder (adjustable)	1
<i>consists of:</i>			
1	KL-0369-2752	Reamer, Ø 4.9mm	1
2	KL-0369-2710 A	Holder, M10x1, with grub screw	1

0369-275Ae190208